

NEMTEK
Electric Fencing Products



Perimeter Fence Light

Instruction Manual



INTRODUCTION

The perimeter alarm light system can be installed onto most of the Nemtek electric fencing brackets and posts.

The lights are installed at 12m intervals along the electric fence line to illuminate the area along the fence. When there is a trigger, such as an electric fence energizer alarm, the lights will illuminate the area around the fence line, helping to detect and deter intruders.

The LED lights consume low energy, illuminate immediately, and face downward, minimising light pollution. Additionally, they enhance CCTV camera performance in low-light areas.

The system can be used with the Nemtek trigger modules for enhanced functionality.

Power and Installation

Coverage per light:	12m x 2.5m wide beam at 2.8m height
Light intervals:	12m to 15m
Installation:	Low-voltage cabling runs along the fence line to power the lights

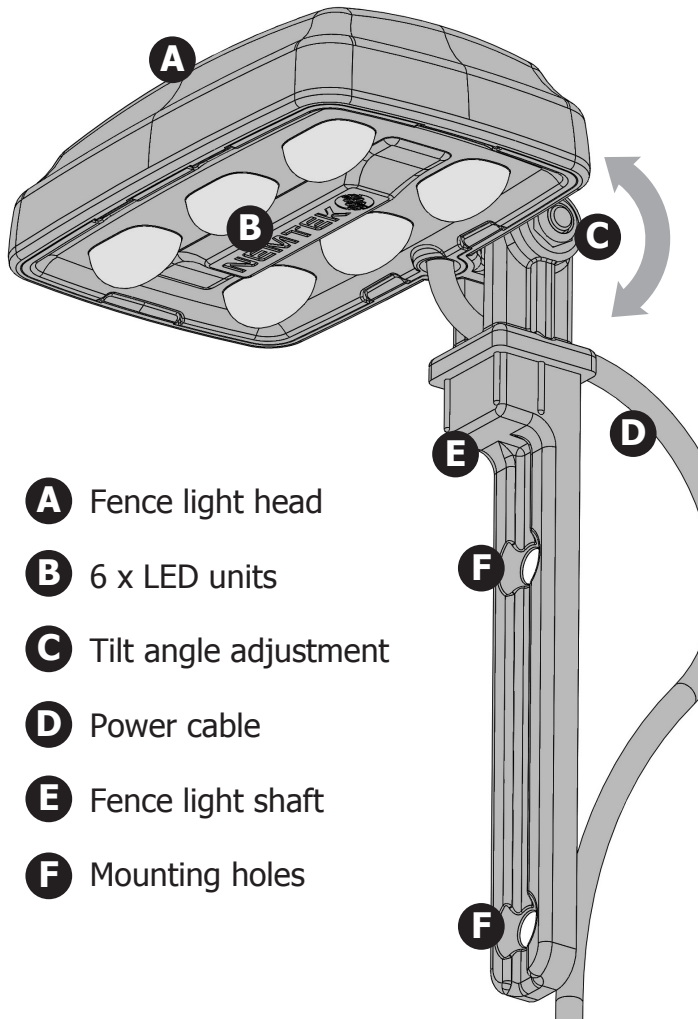
Features

Light type:	LED (no warm-up time required)
Adjustability:	Lights are adjustable and downward facing
Trigger methods:	Alarm trigger
	Remote on and off
	Day/night switch
Power supply trigger modules:	20W and 60W, configurable wet/dry contacts
Compatibility:	Can be used with the Nemtek trigger module

Specifications

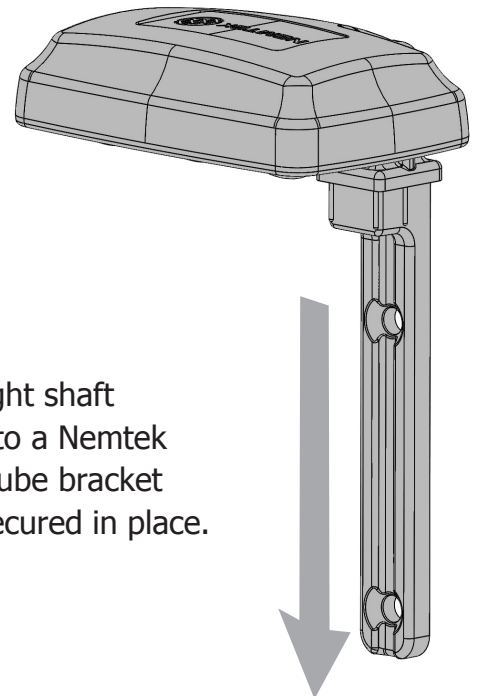
IP Rating:	IP65
Input Voltage:	10 to 40VDC
Wattage:	3.9W
Operating temperature:	-20° to 55°C
Lumens:	380 lumens
Emission colour:	Warm white
Illumination coverage:	12m x 2.5m at 2.8m height
Mounting:	2 x 5mm holes

Perimeter Fence Light

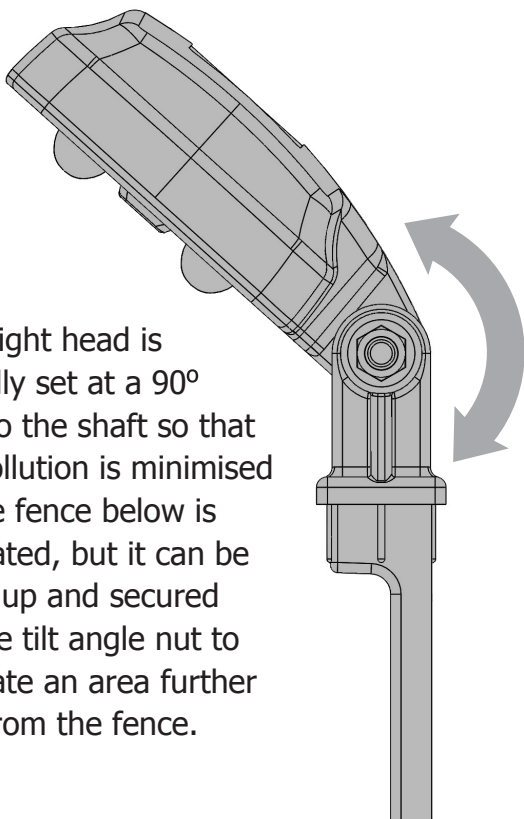
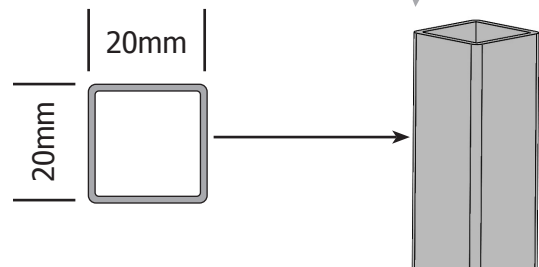


- A** Fence light head
- B** 6 x LED units
- C** Tilt angle adjustment
- D** Power cable
- E** Fence light shaft
- F** Mounting holes

Square Tube Bracket Installation

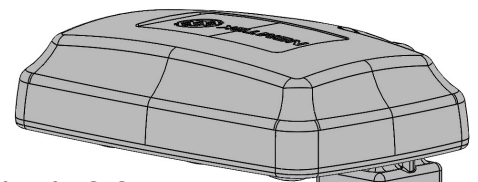


Fence light shaft slides into a Nemtek square tube bracket and is secured in place.

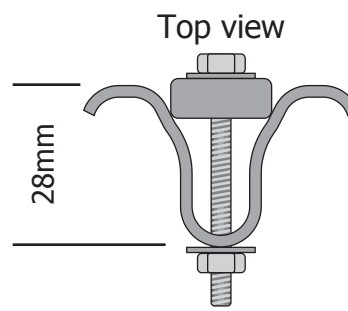


Fence light head is generally set at a 90° angle to the shaft so that light pollution is minimised and the fence below is illuminated, but it can be angled up and secured with the tilt angle nut to illuminate an area further away from the fence.

Omega Bracket Installation

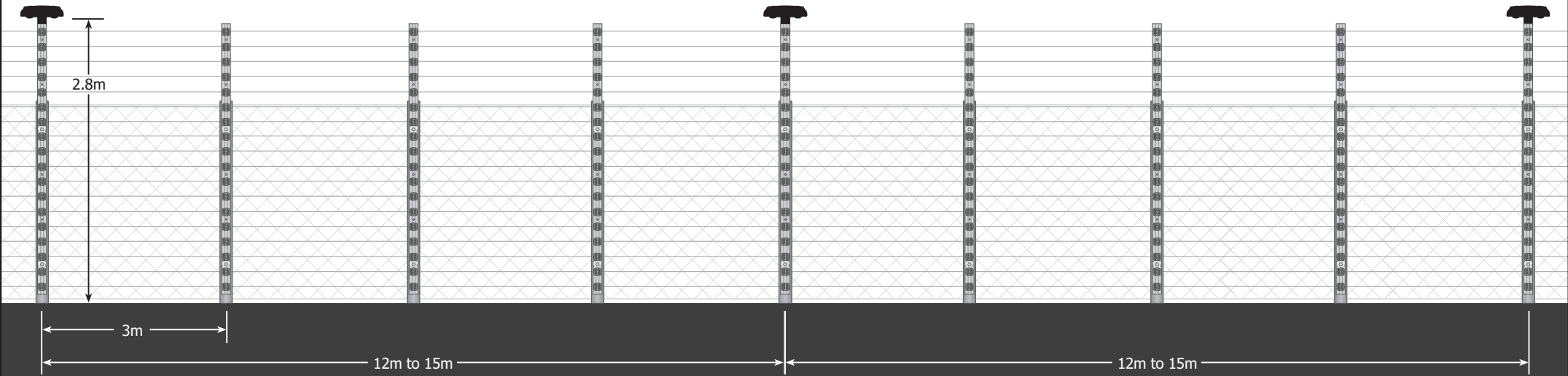


Fence light shaft fits into the back of the Omega bracket and is bolted in place using 2 x M5 40 stainless steel bolts, washers and nuts.



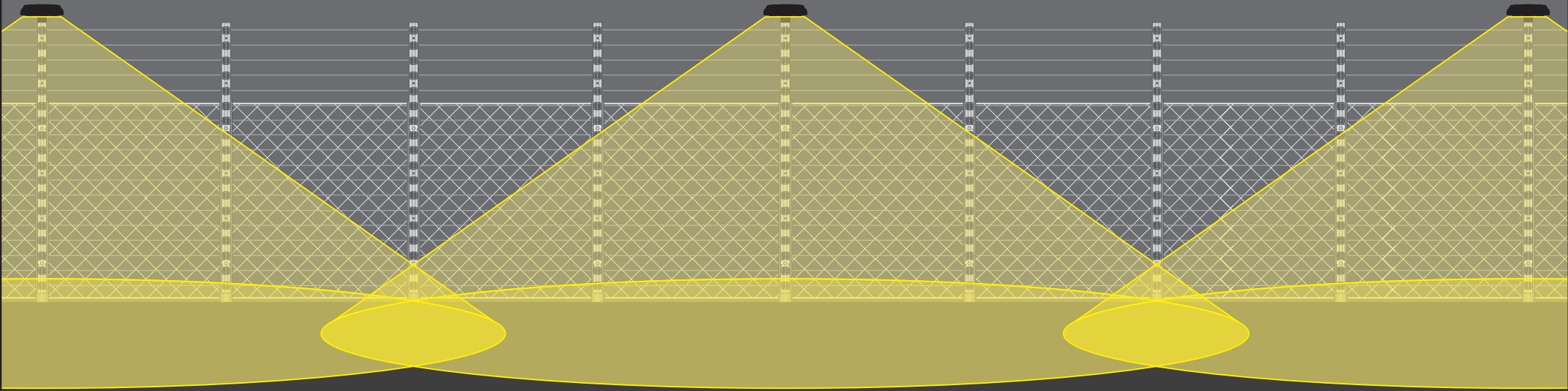
Spacing of Perimeter Fence Lights on an Omega Fence

The lights are installed at 12m to 15m intervals along the electric fence line to illuminate the area along the fence. The low-voltage cabling runs along the fence line to power the lights.



Illumination Overlap of the Perimeter Fence Lights

The illumination is directed along the fence line and warm-light LEDs minimise light pollution so that the lighting is ideal for use in light sensitive areas such as airports, residential complexes, and nature reserves.



WARRANTY

Unless otherwise specified all Nemtek energizers have a 2 year warranty and all other fencing components have a 1 year warranty from date of sale against defects due to faulty workmanship or materials. Nemtek (Pty) Ltd will, at its discretion, either repair or replace a product that proves to be defective.

Nemtek (Pty) Ltd does not guarantee that the operation of the product will be uninterrupted and totally error free. Faulty products must be returned to one of the Nemtek Group outlets. The buyer shall pay all shipping and other charges for the return of the product to Nemtek (Pty) Ltd.

LIMITATION OF WARRANTY

The warranty does not apply to defects resulting from acts of God, modifications made by the buyer or any third party, misuse, neglect, abuse, accident or mishandling.

EXCLUSIVE REMEDIES

The remedies provided herein are Nemtek (Pty) Ltd's sole liability and the buyers sole and exclusive remedies for breach of warranty. Nemtek (Pty) Ltd shall not be liable for any special, incidental, consequential, direct or indirect damages, whether based on contract, tort, or any other legal theory. The foregoing warranty is in lieu of any and all other warranties, whether expressed, implied, or statutory, including but not limited to warranties of merchantability and suitability for a particular purpose.



PFL 08/24 Rev.1.0

www.nemtek.com